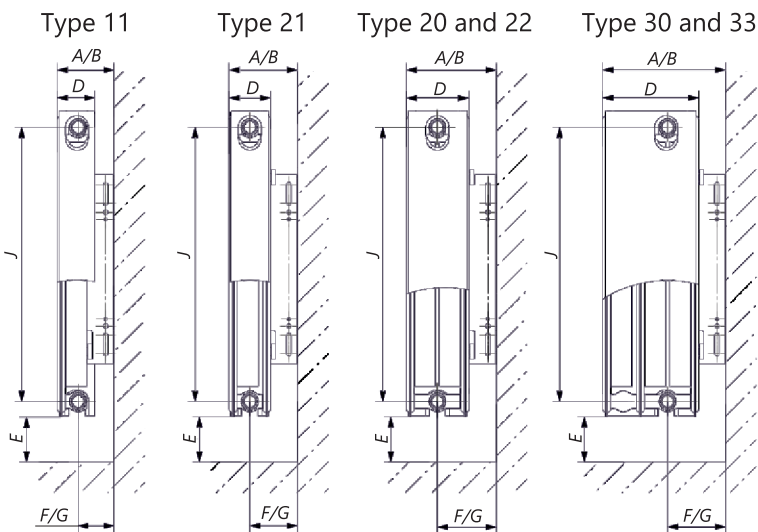


FASTENING RADIATORS TO THE WALL

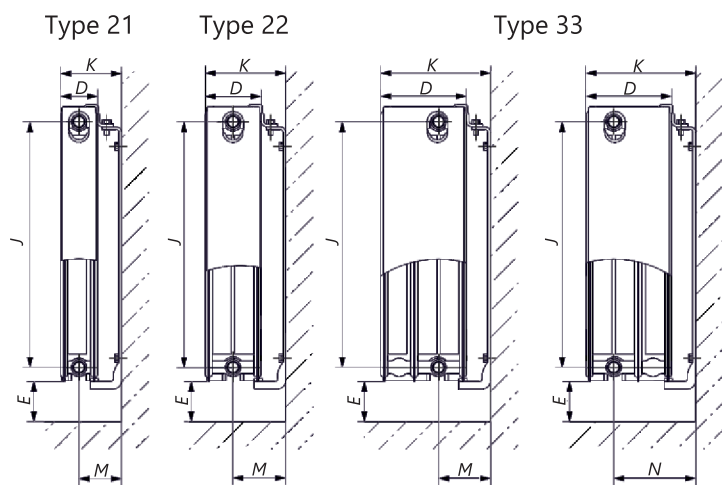


Dimensions based on using the short leg and the long leg for radiators with side connection (C) and bottom connection (VC) with Hook/Standart mount



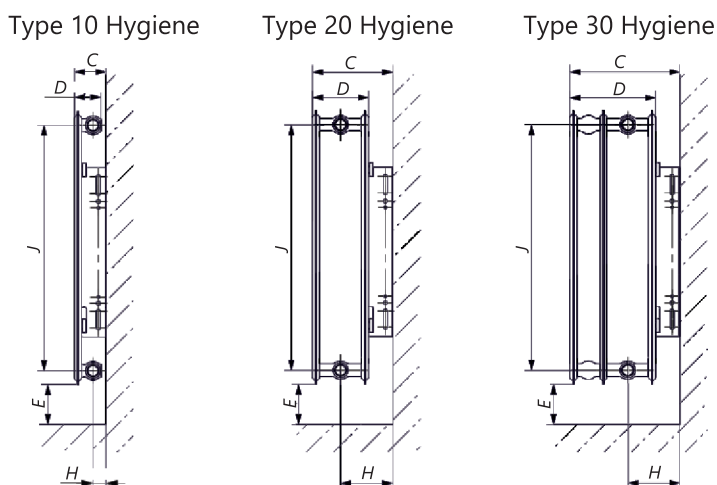
Radiator type	Type 11	Type 21	Type 20/22	Type 30/33
A, MM	77	97	132	186
B, MM	92	112	147	201
D, MM	65	68	102	157
E not less, mm	75	85	105	130
F, MM	44	63	80	80
G, MM	59	78	95	95

Dimensions based on using the short leg and the long leg for radiators with side connection (C) and bottom connection (VC) with Click/Universal mount



Radiator type	Type 21	Type 22	Type 33
D, MM	68	102	157
E not less, mm	85	105	130
K not less, mm	98	132	187
M not less, mm	63	80	80
N not less, mm	-	-	135

Dimensions based on using the short leg and the long leg for Hygiene radiators with side connection (C) and bottom connection (VC) with Hook/Standart mount



Radiator type	Type 10 Hygiene	Type 20 Hygiene	Type 30 Hygiene
C, MM	113	202	257
D, MM	48,5	102	157
E not less, mm	85	105	130
H, MM	79	151	151

FASTENING RADIATORS TO THE WALL

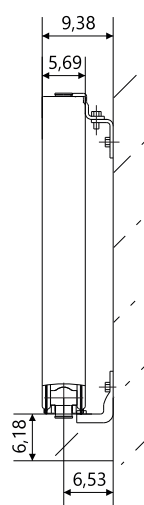


Notes:

- Dimensions A and F - for the option of installing the fixing elements with a large shelf to the wall.
- Dimensions B and G - for the option of installing the fixing elements with a small shelf to the wall.
- Dimensions C and H are for Hygiene radiators.
- Dimension J - center distance between side pipes:
 - for radiators with a height of 200 mm - 149 mm;
 - for radiators with a height of 300 mm - 249 mm;
 - for radiators with a height of 400 mm - 349 mm;
 - for radiators with a height of 500 mm - 449 mm;
 - for radiators with a height of 600 mm - 549 mm;
- Center-to-center distance between the bottom pipes for radiators with bottom connection - 50 mm.
- The distance from the axis of the lowermost branch pipe to the end of the side branch pipe for radiators with a bottom connection is 32 mm.

Dimensions based on using the short leg and the long leg
Compact Modern Vertical (C MV) with Click/Universal mount

Type 20



Radiator type	Type 20
A, мм	97
B, мм	69
C	85
не менее, мм	
D, мм	63

Center-to-center distance between the lower branch pipes:

- for radiators with a height of 200 mm - 149 mm;
- for radiators with a height of 300 mm - 249 mm;
- for radiators with a height of 400 mm - 349 mm;
- for radiators with a height of 500 mm - 449 mm;

MOUNTING DETAILS

Radiator type	C 11; C 20; C 21; C 22; C 30; C 33; C H 10; C H 20; C H 30; C M 20; C M 21; C M 22; C M 30; C M 33	VC 11; VC 20; VC 21; VC 22; VC 30; VC 33; VC H 10; VC H 20; VC H 30; VC M 20; VC M 21; VC M 22; VC M 30; VC M 33	VC 21; VC 22; VC 33	C MV 20
Mounting type	Hook/Standart*	Hook/Standart*	Click/Universal*	Click/Universal*
Radiator	1	1	1	1
Passport	1	1	1	1
Package	1	1	1	1
Mounting bracket	2 (3)**	2 (3)**	-	-
Mounting kit	1	1	1	1
Thermostatic valve insert M30x1.5 or Danfoss	-	1	1	-

* – radiators with a height of 200 mm are produced only with the Click / Universal mount.

** – radiators in length (or height for radiators of Modern Vertical design)

up to 1600 mm are completed with two mounting brackets.

Radiators in length (or height for Modern Vertical radiators)

from 1700 mm to 3000 mm are completed with three mounting brackets.